



<https://www.uni-luce.com>

+39 339 505 5880

info@uni-luce.com

Via Monselice, 26, 20832 Desio

MB, Italy

ROLLER-2 M



Available colors:

○ 373-WW18

● 373-BB18

○ 373-WB18

◐ 373-BG18

Beam angle: 24° 34°

LED Color: 2700K 3000K 4000K

LED power: 2x7,9W

System Power: 2x8,9W 500mA

CRI: 80

Lumen output: 2x1135lm

Location: Interior

Fixation: Ceiling

Installation: Recessed

Product dimension: 103x190x118mm

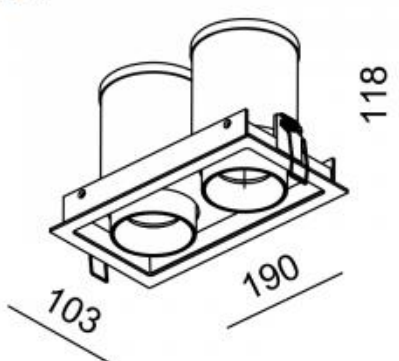
Cut hole size: 180x93mm

Input: 220-240V 50\60Hz

IP: 20

Class: I

DIM Option: ON/OFF DALI TRIAC DTW





<https://www.uni-luce.com>

+39 339 505 5880

info@uni-luce.com

Via Monselice, 26, 20832 Desio

MB, Italy

The ROLLER is a lighting system, with the full flexibility of installation. A black minimalistic box could contain one or two heads. These ROLLER modules can remain encapsulated in the ceiling, or emerge in its entirety and be tilted 90° while rotate 355°, allowing focused illumination in one swift move. The black background inside the cove creates an illusion of unendingness around the light spots, enforcing the fully integrated architectural lighting concept. A range of light refining accessories are available to guarantee optimal optic performance and maximum eye comfort.